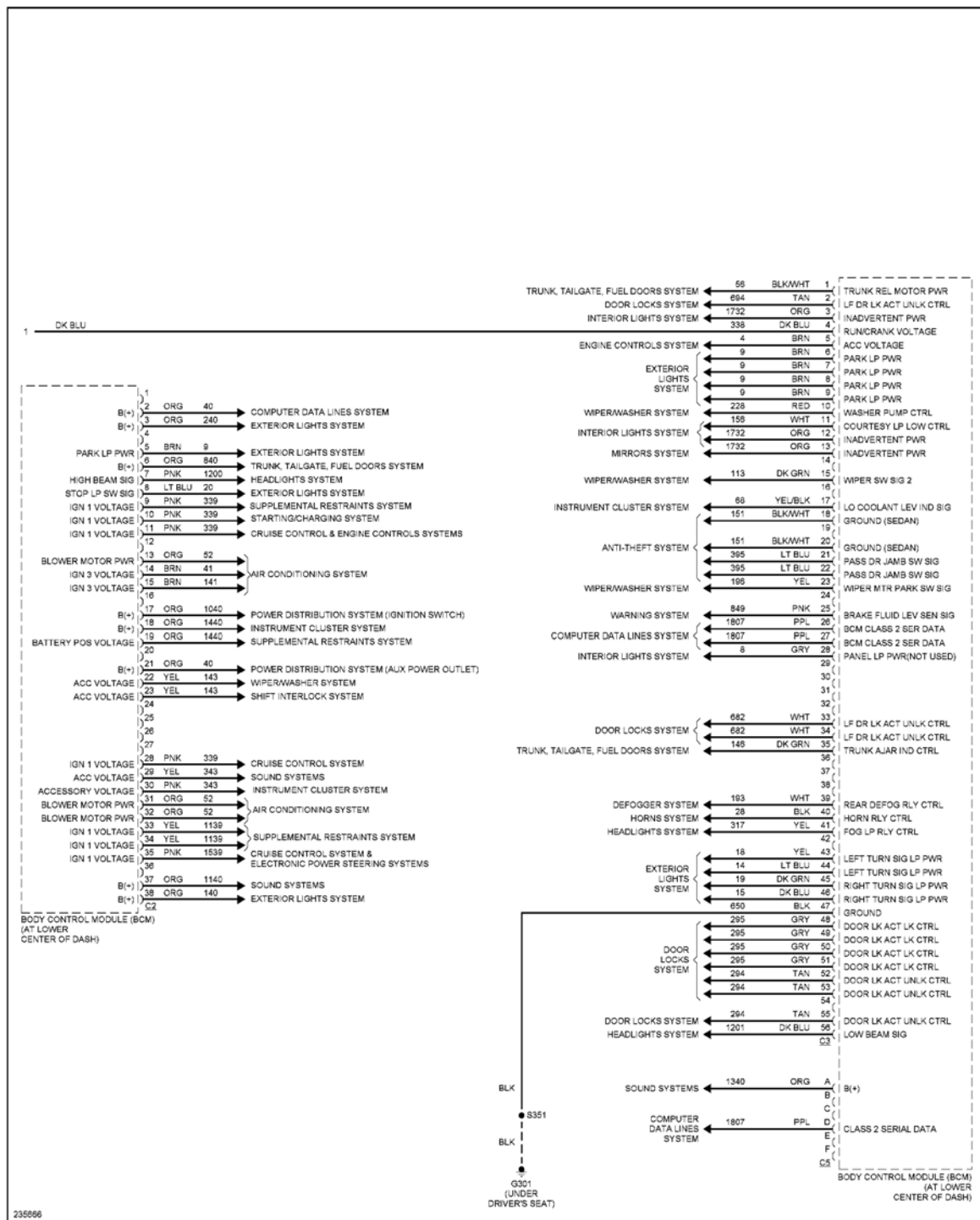
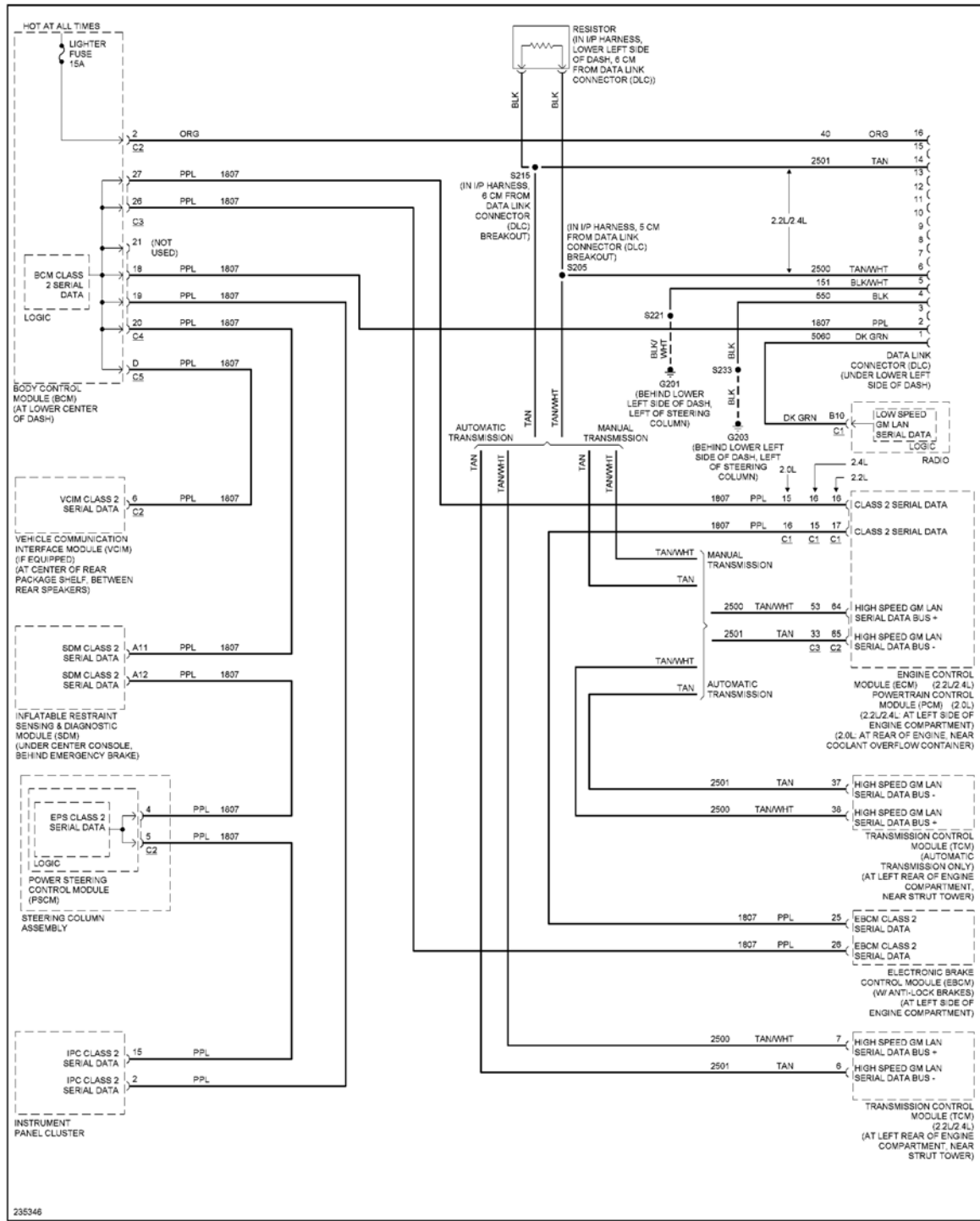


**Fig. 7: Body Control Modules Circuit (1 of 2)**



**Fig. 8: Body Control Modules Circuit (2 of 2)**

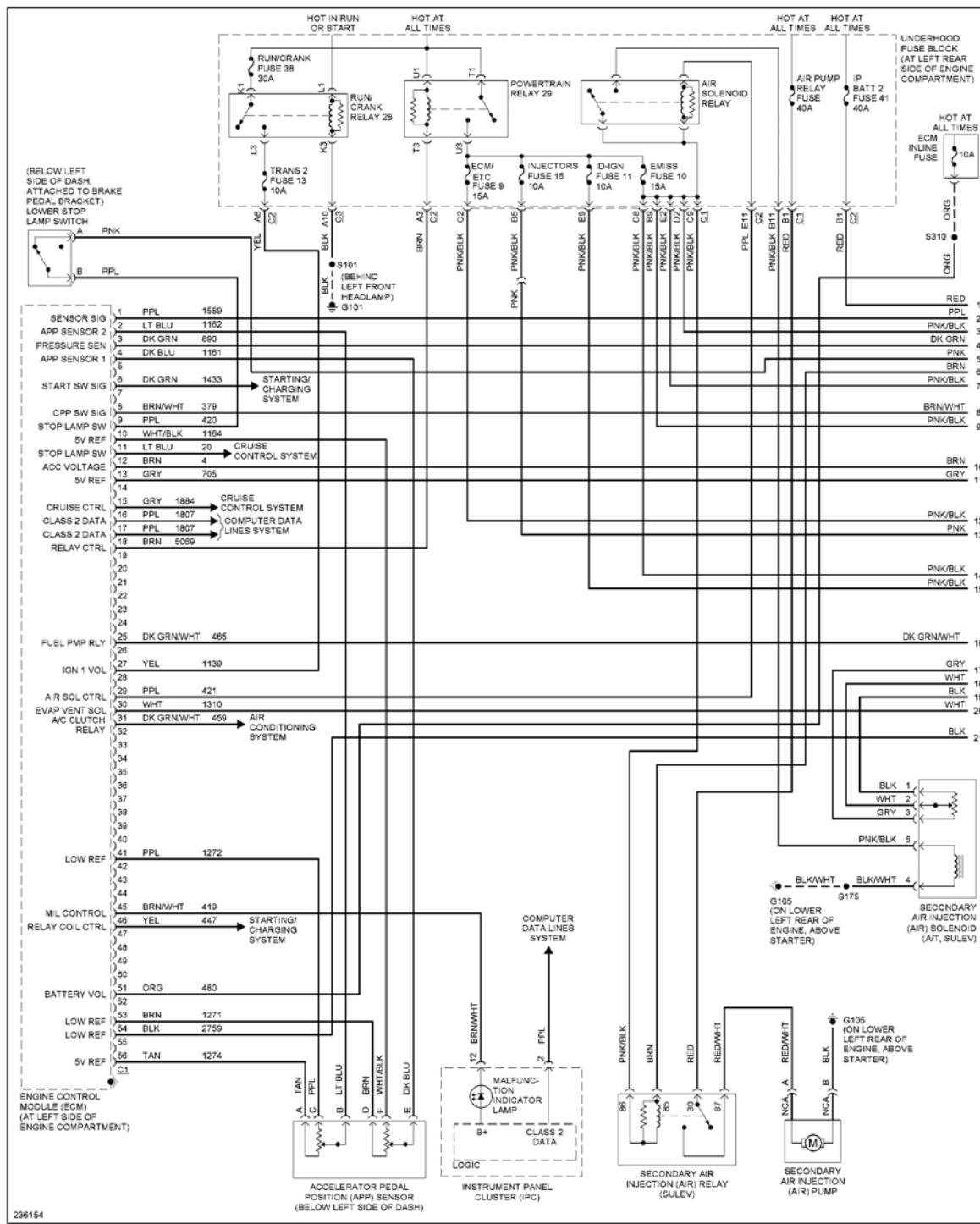
## COMPUTER DATA LINES



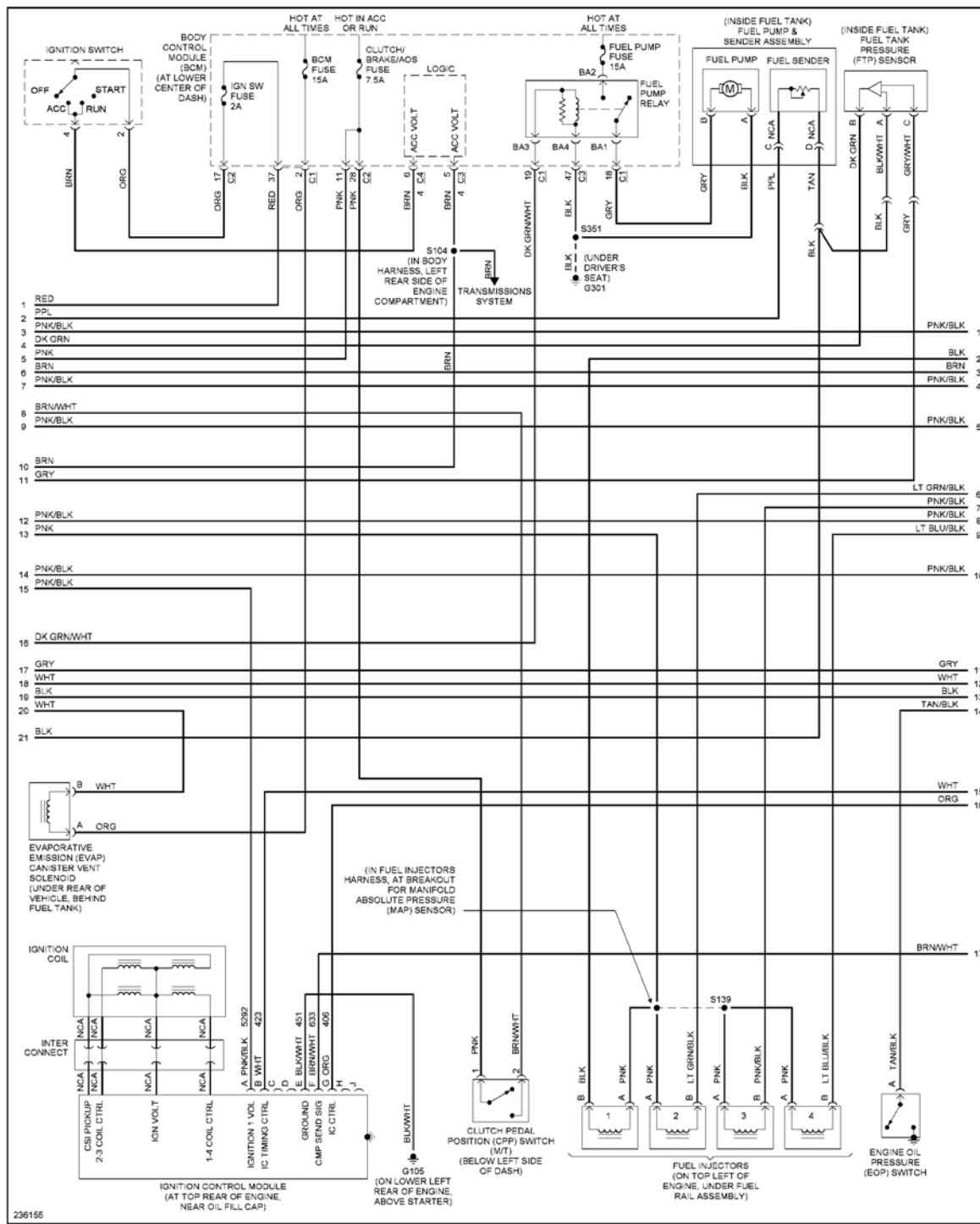
**Fig. 9: Computer Data Lines Circuit**

## COOLING FAN

2.2L VIN F



**Fig. 15: 2.2L VIN F, Engine Performance Circuit (1 of 3)**



**Fig. 16: 2.2L VIN F, Engine Performance Circuit (2 of 3)**

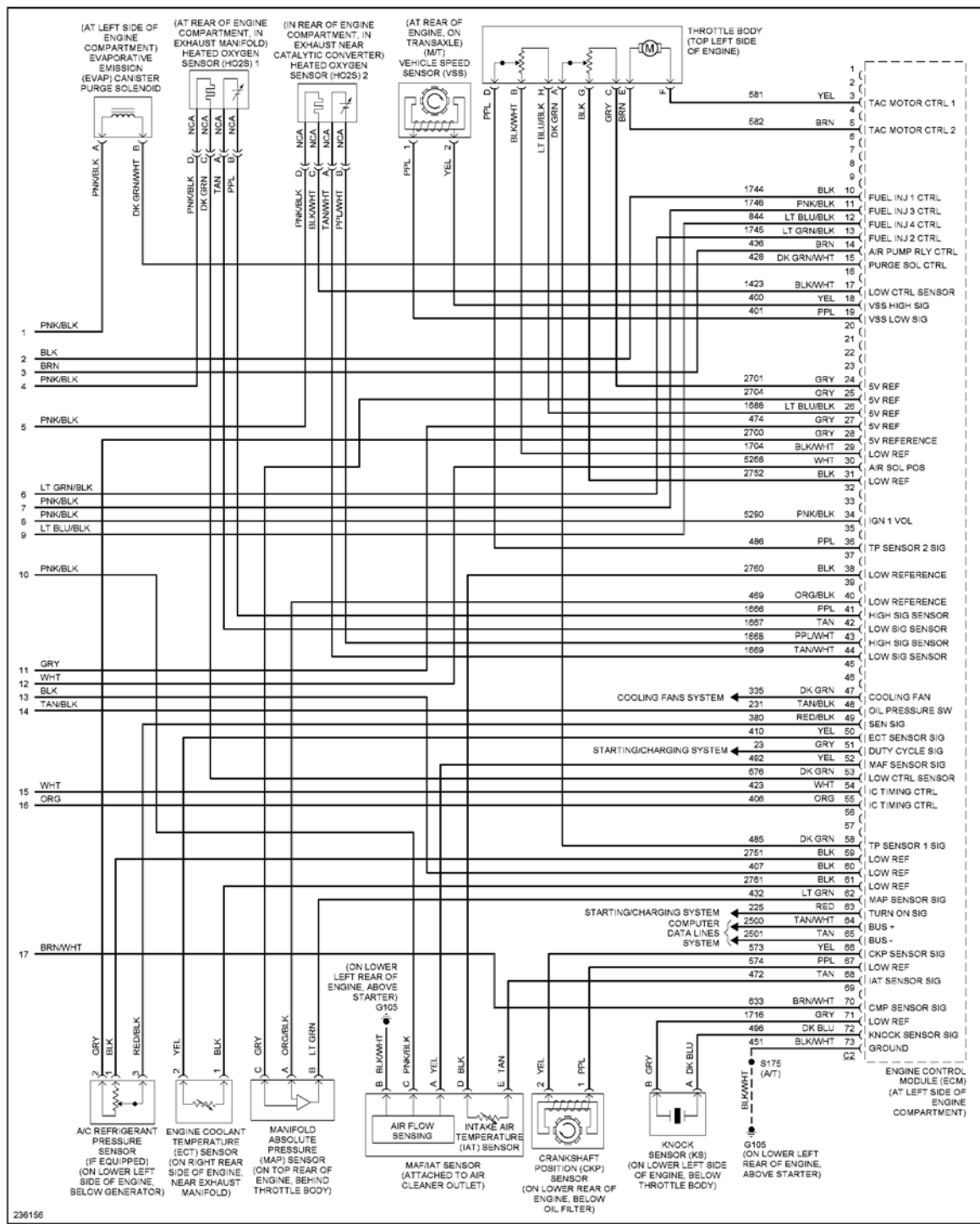
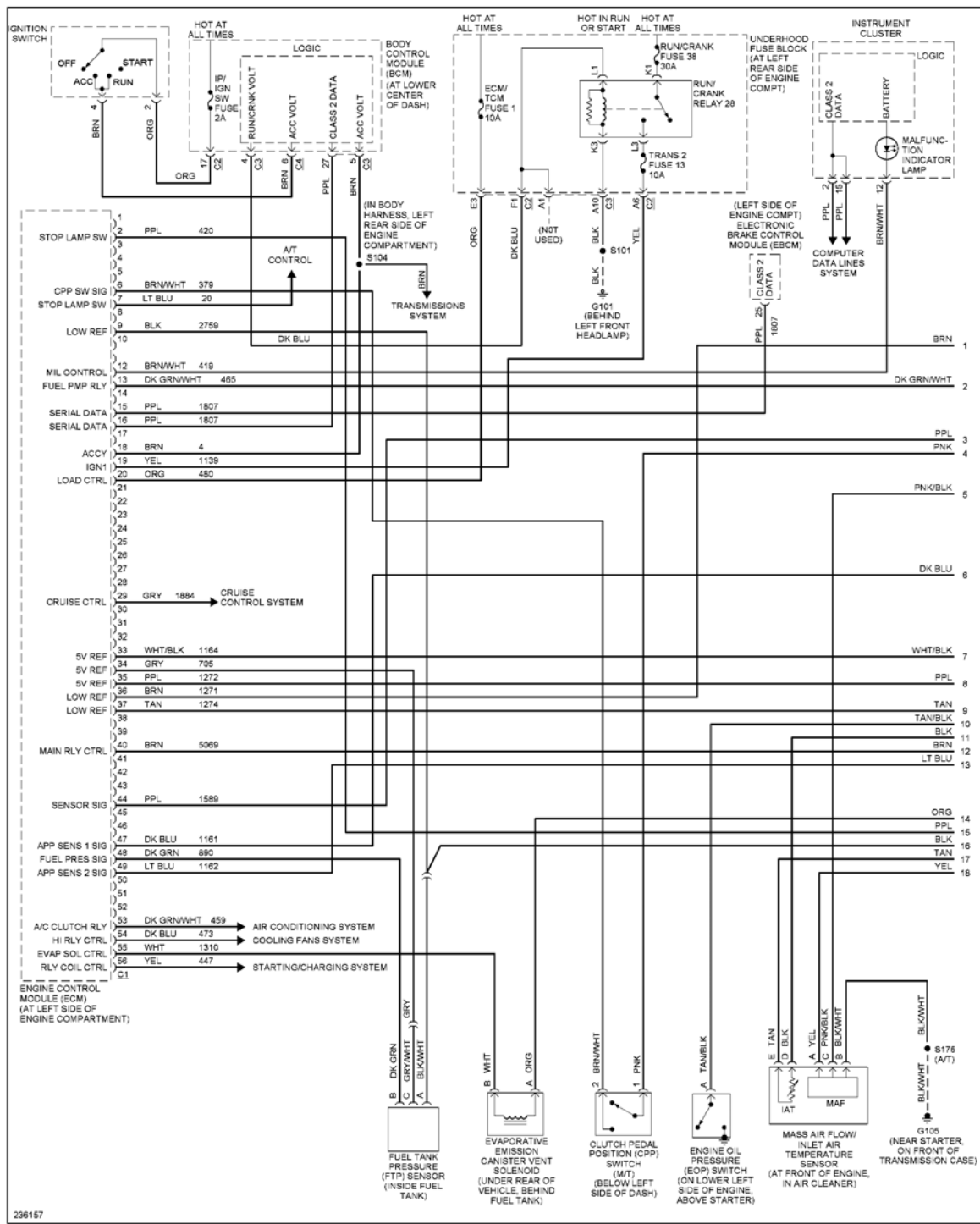
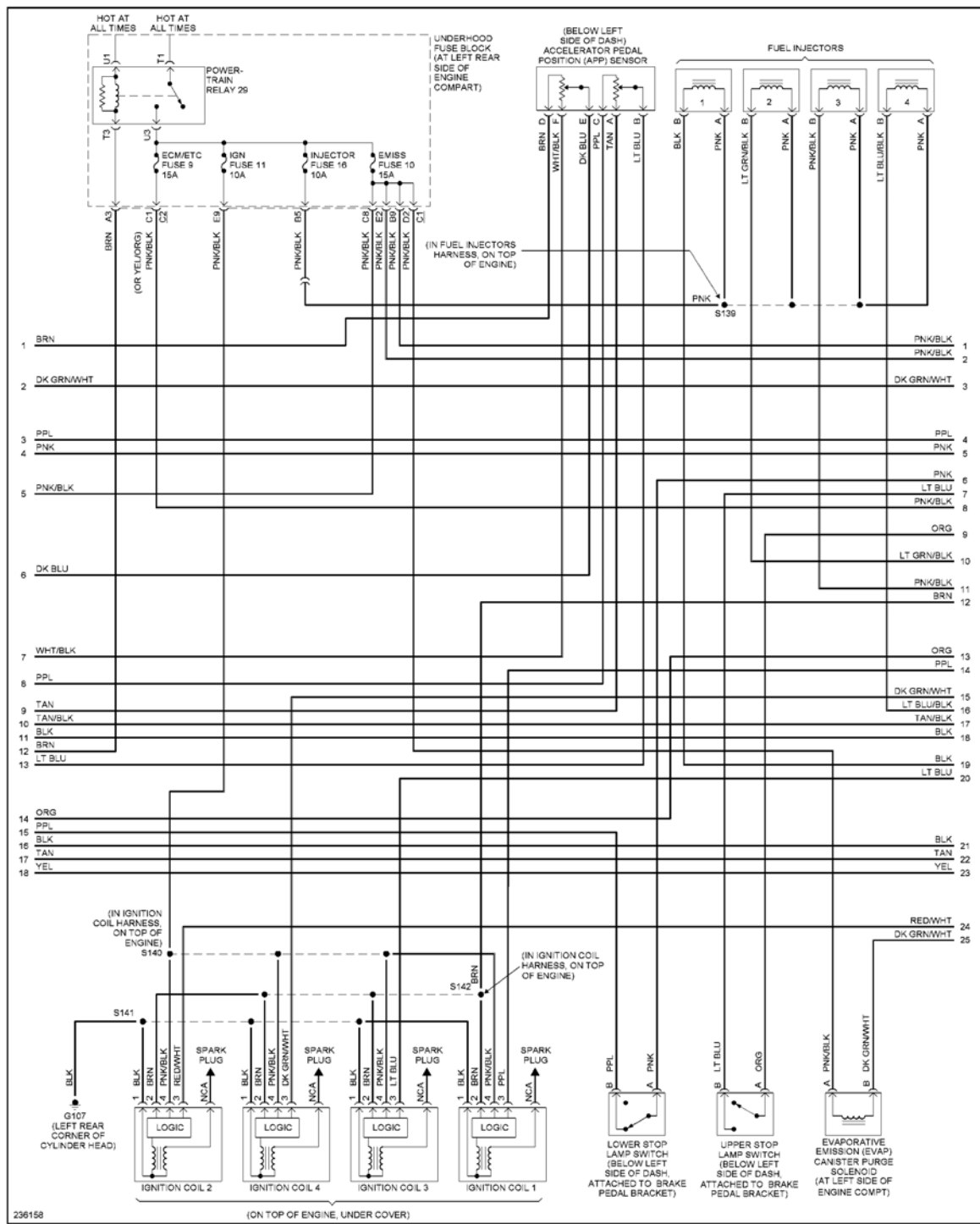


Fig. 17: 2.4L VIN F, Engine Performance Circuit (3 of 3)

2.4L VIN B

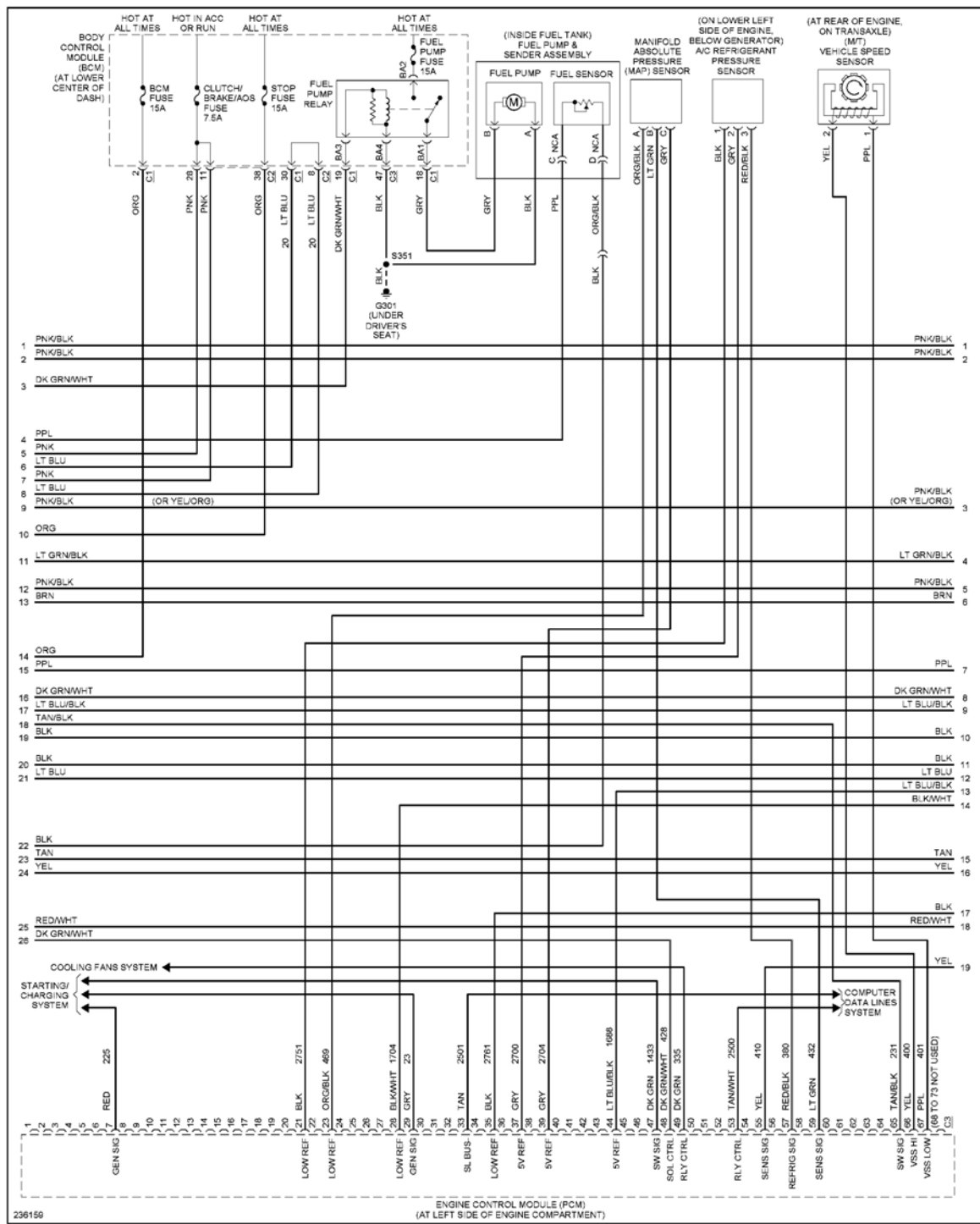


**Fig. 18: 2.4L VIN B, Engine Performance Circuit (1 of 4)**



**Fig. 19: 2.4L VIN B, Engine Performance Circuit (2 of 4)**





**Fig. 20: 2.4L VIN B, Engine Performance Circuit (3 of 4)**

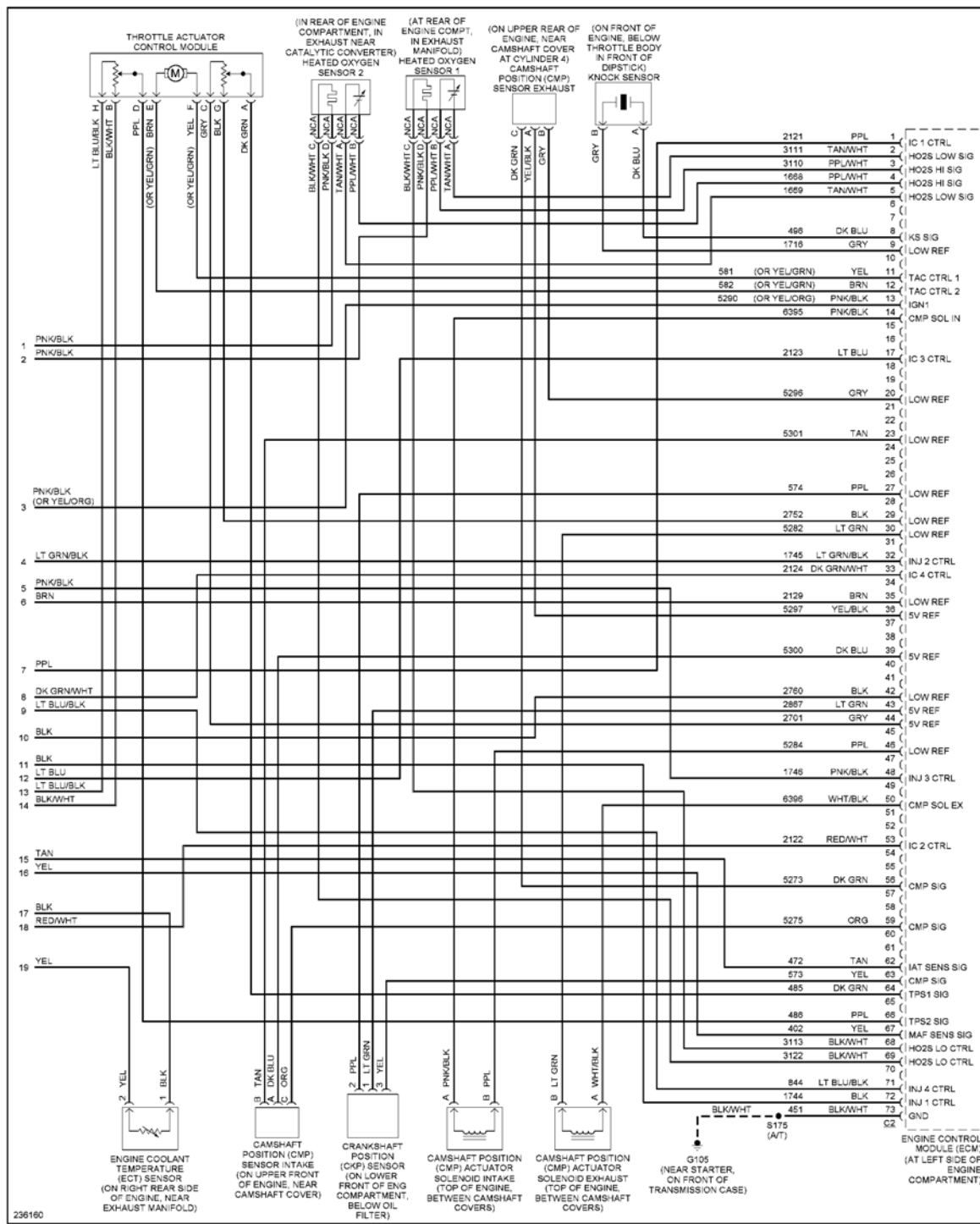
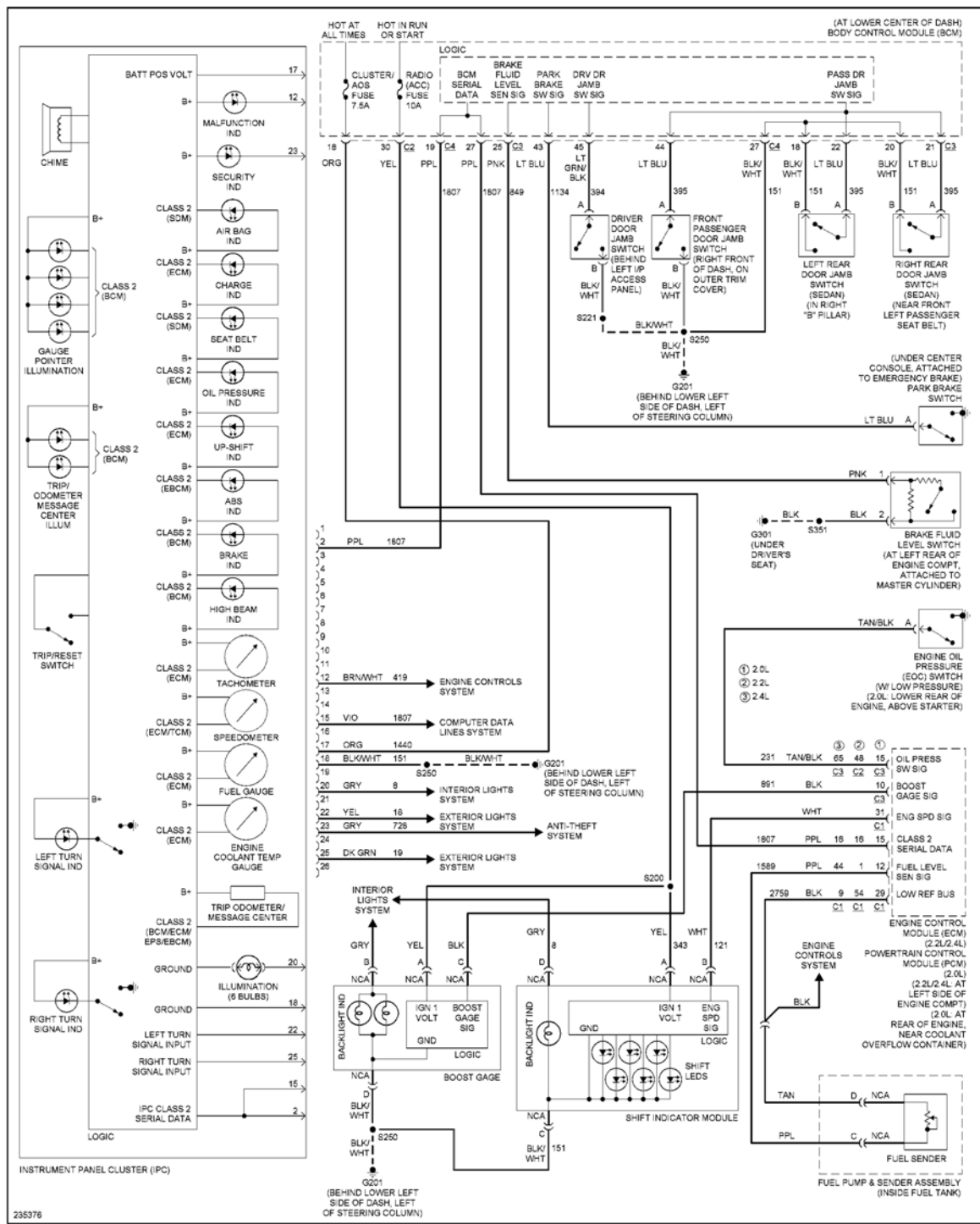


Fig. 21: 2.4L VIN B, Engine Performance Circuit (4 of 4)

EXTERIOR LIGHTS



**Fig. 29: Instrument Cluster Circuit**

## INTERIOR LIGHTS